

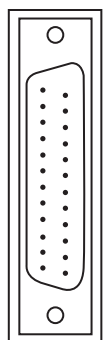
1

2

3

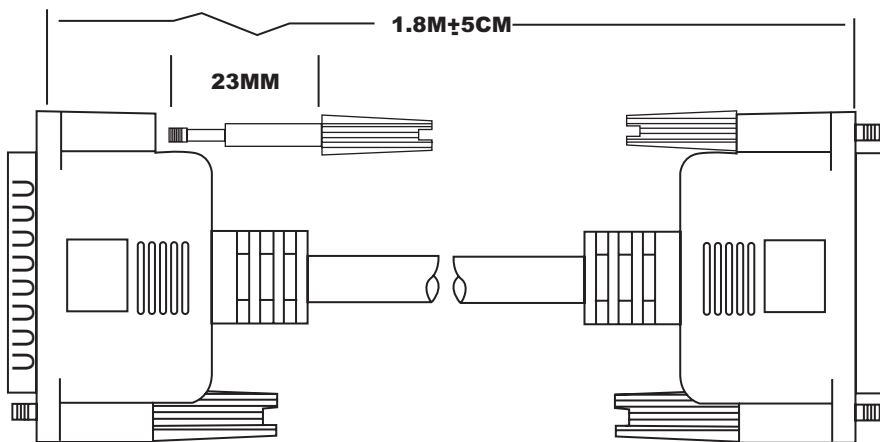
4

DB25 Male

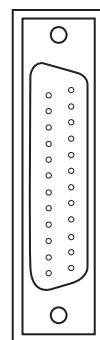


23MM

1.8M±5CM



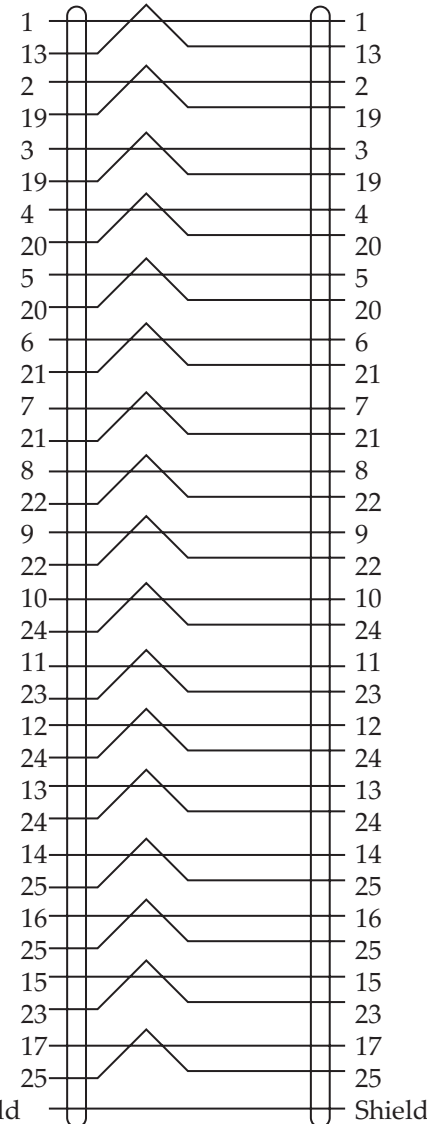
DB25 Female



Configuration:

DB25M

DB25F



+0.5mm
3.5+0mm

Material:

- 1.Cable: UL 20276 #28 18 Pairs+1+AL/MY+Braid
(Beige PVC Jacket) O.D:7.5mm
Insulation Conduct with P.P Type
- 2.Both connectors with normal type
- 3.Thumbscrew: #4-40UNC Type
- 4.Both connectors inner molded with copper tape
and 360°(solder),Allover molded with Beige PVC
Copper Tape Size:
DB25 Male:(95mmx30mm)

Notes:

- 1.Total Length: 1.8M±5CM
- 2.Color: Beige
- 3.Molded Type



Description

Name :
AK733-1.8-R
DB25 Male-DB25 Female



THIS DRAWING IS UNPUBLISHED

© Copyright 2005 by Assmann Electronic Components All International Rights Reserved

This drawing is a controlled document for Assmann Electronics, Inc. It is subject to change and the controlling engineering organization should be contacted for the latest revision.

1

2

3

4

A

B

C

D

A

B

C

D